



Port of registry	LIMASSOL
Flag	CYPRUS
Call sign	5BKW4
IMO No.	9710189
MMSI	212715000
Vessel Type	General Cargo
Keel laid on	06.05.2015
Build on	28.03.2016
Builder	Shanghai Shipyard
Class	PRS-KM L3 SD ACC (1919)CG IWS AUT

Vessel Owner **SFINLAND MARINE LIMITED**

Vessel Operator **CHINESE - POLISH JOINT STOCK SHIPPING COMPANY**

Tonnage	Gross (GT)	Net (NT)
ITC 1969	24778	10317
Panama Canal		21553
Suez Canal	27761.60	23611.99

PANAMA CANAL ID (ACP ID)	No.
SUEZ CANAL ID (SCID)	No. 45151

Length Overall (LOA)	189.90m
Length between p. (LBP)	184.00m
Breadth moulded	28.00m
Depth moulded	15.50m
Draught moulded	10.50m
Height from keel to the top	52.463m
Height with with antena down	48.263m

Light Ship	13327.0 MT
Constance	320MT
FW allowance	233mm
TPC on summer draft	48.20MT/CM

ME Type	Wartsila 6RT-Flex 50-D
Made by	Hudong Heavy Machinery
Power	8350kW/99RPM
Max Speed	abt. 16.50kn
Service Speed	abt. 15.70kn / 95RPM
Endurance	18000Nm

Fresh water	2 tanks	253.5cbm
Fuel Oil	7 tanks	1693.3cbm
Diesel Oil	3 tanks	530.4cbm
Ballast Water	28 tanks	13357.1cbm

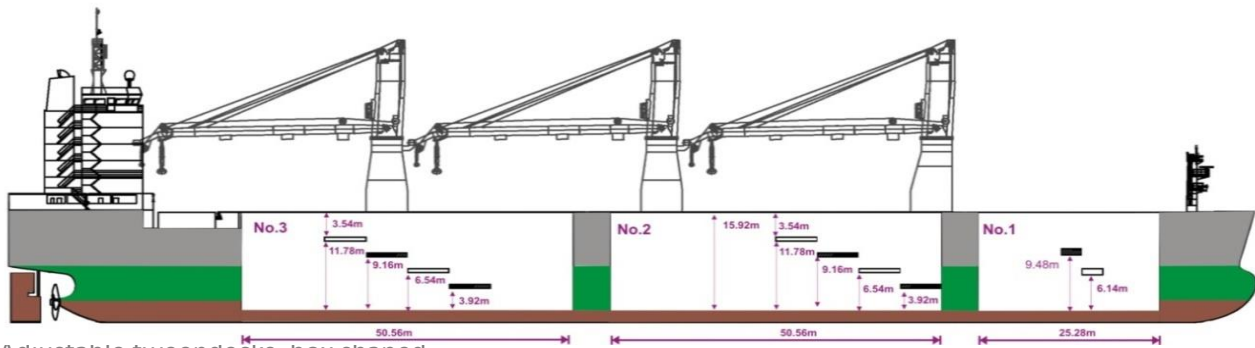
Zone	Draft	Freeboard	Deadweight
TROPIC	10.719m	4.795m	31664.3 t
SUMMER	10.500m	5.014m	31664.3 t
WINTER	10.281m	5.233m	31664.3 t

All above details are given in good faith but not guaranteed. This description may not be used as basis for time charter parties or booking notes. For further information please contact our team rate@chipolbrok.us



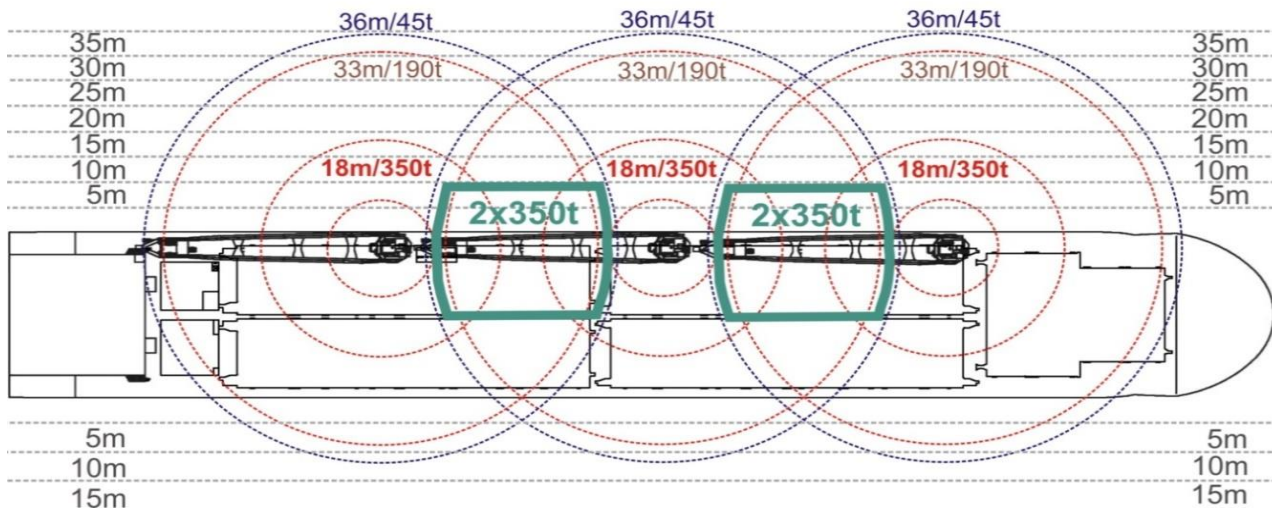
Number of Holds	3
Number of Hatches	5
Cargo Capacity Grain	43022cbm
Cargo Capacity Bale	39482cbm
Container TEU underdeck	891
Container TEU on deck	1028
Total TEU	1919

Hatch cover size Hold 1	25.28x20.32m
Hatch cover size Hold 2 PS	50.56x11.25m
Hatch cover size Hold 2 SB	50.56x11.25m
Hatch cover size Hold 3 PS	50.56x11.25m
Hatch cover size Hold 3 SB	50.56x11.25m
Permissable load - Hatch Cover	3.0t/sqm
Permissable load - Tweendeck	4.0t/sqm
Permissable load - Lower Holds	18.0t/sqm



Adjustable tweendecks, box shaped.
Unobstructed deck space 120 x 20mtr

Cargo Gears	Whip Hook	Main Hook
Crane 1	45t / 36m	350t / 18m - 190t/33m
Crane 2	45t / 36m	350t / 18m - 190t/33m
Crane 3	45t / 36m	350t / 18m - 190t/33m
Crane 1 & Crane 2		Combined 700t / 11m
Crane 2 & Crane 3		Combined 700t / 11m



All above details are given in good faith but not guaranteed. This description may not be used as basis for time charter parties or booking notes. For further information please contact our team rate@chipolbrok.us