



Port of registry	LIMASSOL
Flag	CYPRUS
Call sign	5BMF4
Official No.	9731389
IMO No.	9731389
MMSI	210638000
Vessel Type	General Cargo
Keel laid on	Sep. 07, 2015
Delivered on	Dec.15, 2016
Builder	Shanghai Shipyard
Class	LR 100A1

Vessel Owner	TENTMAR NAVIGATION COMPANY LTD.
Vessel Operator	CHINESE - POLISH JOINT STOCK SHIPPING COMPANY Address : 26th Floor, 55 YAN AN ROAD E, Shanghai 200002, China

Tonnage	Gross (GT)	Net (NT)
ITC 1969	24478	10318
Panama Canal		22055
Suez Canal	27761.60	23611.99

PANAMA CANAL ID (ACP ID)	No.
SUEZ CANAL ID (SCID)	No.

Length Overall (LOA)	189.87
Length between p. (LBP)	183.99
Breadth moulded	28.00m
Depth moulded	15.50m
Height from keel to the top	52.463
Height with with antenna down	48.20m

Light Ship	13375.8MT
Constance	320MT
FW allowance	233mm
TPC on summer draft	48.20MT/CM

ME Type	Wartsila 6RT-Flex 50-D
Made by	Hudong Heavy Machinery
Power	8350KW/99RPM
Max Speed	abt. 16.50kn
Service Speed	abt. 15.70kn / 95RPM
Endurance	18000Nm

Fresh water	2 tanks	253.5cbm
Fuel Oil	7tanks	1693.3cbm
Diesel Oil	3tanks	530.4cbm
Ballast Water	28tanks	13357.1cbm

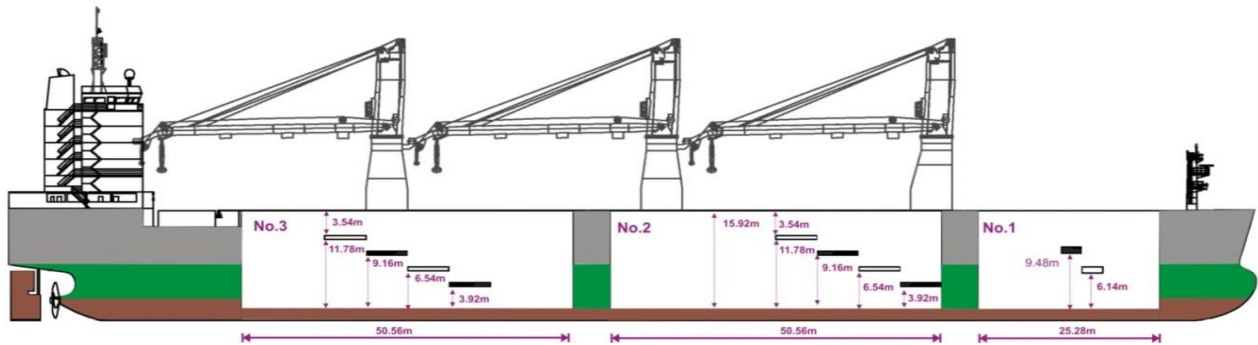
Zone	Draft	Freeboard	Deadweight
TROPIC	10.719m	4.798m	32672.6t
SUMMER	10.500m	5.017m	31672.9
WINTER	10.281m	5.236m	30.561.8t

*All above details are given in good faith but not guaranteed. This description may not be used as basis for time charter parties or booking notes. For further information please contact our team [rate@chipolbrok.us](mailto:rate@chipolbrok.us)*



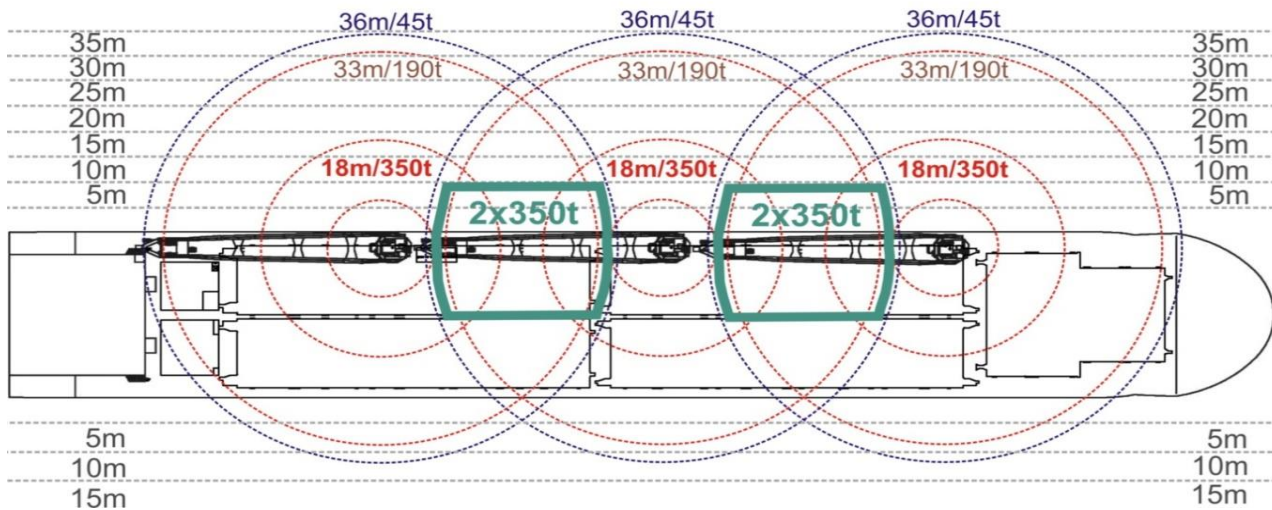
Number of Holds	<b>3</b>
Number of Hatches	<b>5</b>
Cargo Capacity Grain	<b>43022cbm</b>
Cargo Capacity Bale	<b>39482cbm</b>
Container TEU underdeck	<b>891</b>
Container TEU on deck	<b>1028</b>
Total TEU	<b>1919</b>

Hatch cover size Hold 1	<b>25.25x20.32m</b>
Hatch cover size Hold 2 PS	<b>50.56x11.25</b>
Hatch cover size Hold 2 SB	<b>50.56x11.25</b>
Hatch cover size Hold 3 PS	<b>50.56x11.25</b>
Hatch cover size Hold 3 SB	<b>50.56x11.25</b>
Permissable load - Hatch Cover	<b>3.0t/sqm</b>
Permissable load - Tweendeck	<b>4.0t/sqm</b>
Permissable load - Lower Holds	<b>18.0t/sqm</b>



Adjustable tweendecks, box shaped.  
Unobrstacted deck space 120 x 20mtr

Cargo Gears	Whip Hook	Main Hook
Crane 1	<b>45t / 36m</b>	<b>350t / 18m - 190t/33m</b>
Crane 2	<b>45t / 36m</b>	<b>350t / 18m - 190t/33m</b>
Crane 3	<b>45t / 36m</b>	<b>350t / 18m - 190t/33m</b>
Crane 1 & Crane 2		<b>Combined 700t / 11m</b>
Crane 2 & Crane 3		<b>Combined 700t / 11m</b>



*All above details are given in good faith but not guaranteed. This description may not be used as basis for time charter parties or booking notes. For further information please contact our team [rate@chipolbrok.us](mailto:rate@chipolbrok.us)*